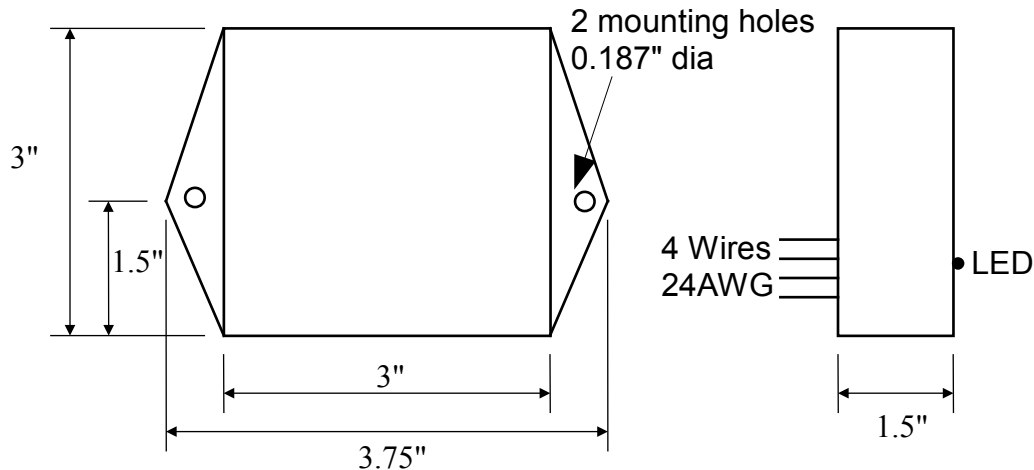




TR-RO1-WM

Wall Mount RFID Reader/Decoder for Passive RFID Tags

The TR-RO1-WM is a wall-mountable RFID reader/decoder for passive RFID tags. It is a complete system including reader/decoder board and antenna packaged in an attractive wall mount enclosure. Fully potted, it is a rugged, simple to use, low cost reader for any application.



Features	Complete wall-mount reader/decoder for RFID tags
Data Interface	RS232 or TTL, 9600 baud, 8 data bits, no parity, 1 stop bit Green Wire: Tx, Black Wire: Ground
Read Range	Tag dependent
Power Requirements	9–12 VDC, 80 mA Red Wire: +VDC, Black Wire: Ground
Dimensions	3 x 3.75 x 1.5 inches (7.6 x 9.5 x 3.8 cm)
Operating Temperature	-10° to 70° C
Protection	IP65
Material	Outside black textured ABS, inside potted with epoxy
Part Number	TR-RO1-WM
Price	\$130.00 each (volume pricing is available)