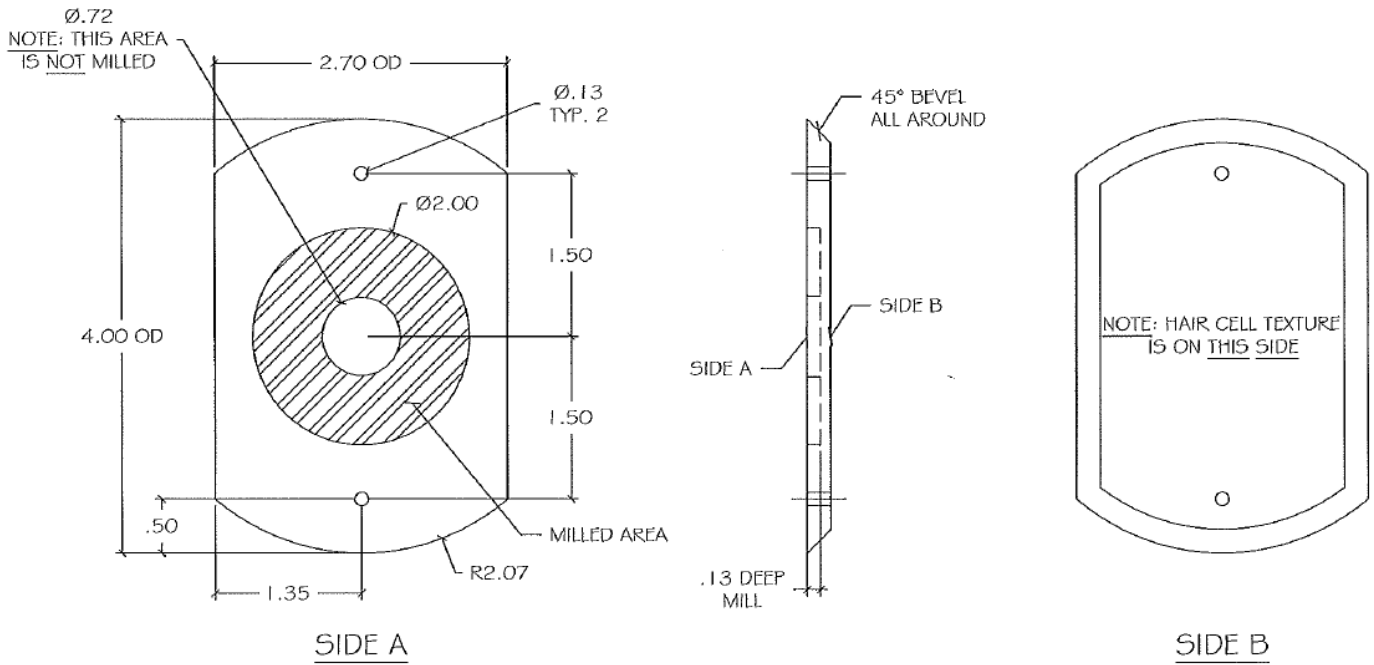




IT-100x5-FL-RO-2

Rugged Warehouse Floor Tag



- Description**
- Passive Low Frequency RFID Tag in a plastic puck for on-floor placement
 - Protection from foot and machine traffic
 - Can be glued to concrete floor, or use mounting holes
- Transponder** ASK, Manchester (biphase available), 64 bit read only, 40 bit serial number
- Read Speed** RF64 (-FS option is RF32)
- Frequency** 125 kHz \pm 5 kHz
- Dimensions** 100 x 60 x 5 mm (4 x 2.4 x 0.2 inch)
- Material** Black ABS
- Temperature** -20°C to +50°C (operating)
-40°C to +70°C (storage)
- Protection** IP66
- Read Range** Reader dependent
- Part Number** IT100x5-FL-RO-02-FS-UP
-FS for fast tag option
-UP for unprogrammed (user must program tag memory)
- Price** \$12.00 each (contact us for volume pricing)